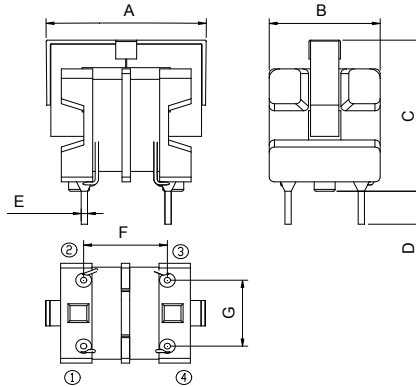
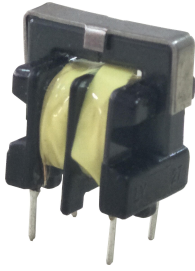


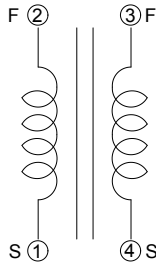
1. Dimensions (mm)



A	B	C	D	E	F	G
16.0 max.	11.3 max.	16.5±1.0	3.5±0.5	0.6 typ.	8.0±0.3	7.0±0.3

Dimensions do not include solder on the Pins

2. Schematics (Bottom View)



RoHS
Compliant

3. Electrical Characteristics

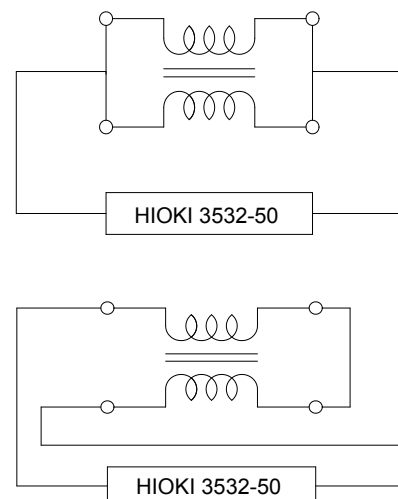
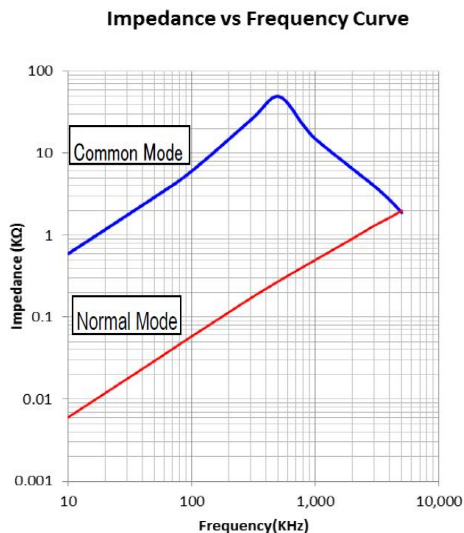
Part Number	Inductance ^① (mH) (1-2,4-3)	Test Frequency	DCR ^② (Ω) max. (1-2,4-3)	I _{rms} ^③ (A) typ.
UU9G2V-103TR01	7 Min.	1kHz,0.25V	2.0	0.6

① Inductance measured on a HIOKI 3532-50 LCR meter or equivalent.

② DCR measured on a micro-ohmmeter (single winding) .

③ I_{rms}: The DC current at which Δt=40℃,measure pin1 to 2,short pin3,4 (at 25℃).

This is only a typical design for your reference ,custom design is available for your exact requirements.



All specifications are subject to change without notice.