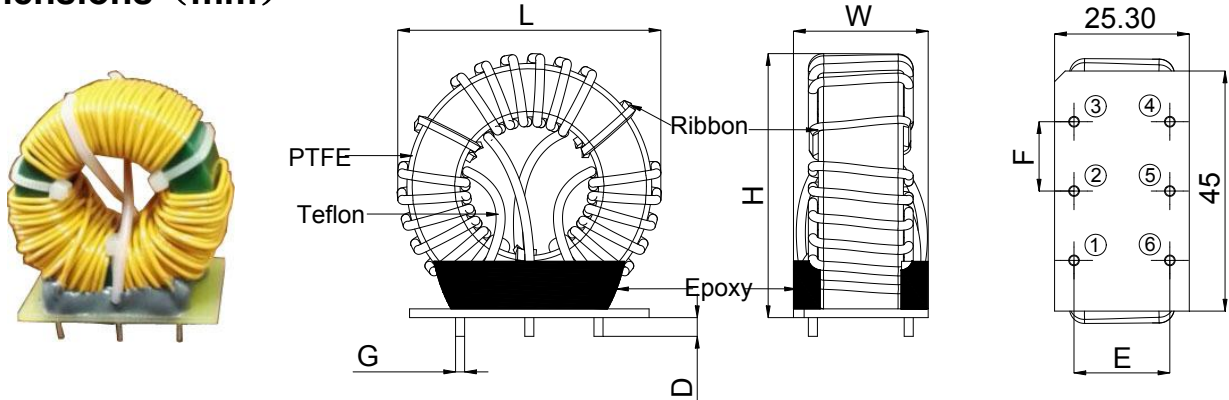


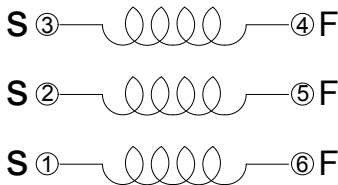
1. Dimensions (mm)



L	W	H	D	E	F	G
50 Max	26.0 Max.	50 Max.	3.5±1.0	18±0.5	13±0.15	1.7 ref.

Dimensions do not include solder on the Pins

2. Schematics (Bottom View)



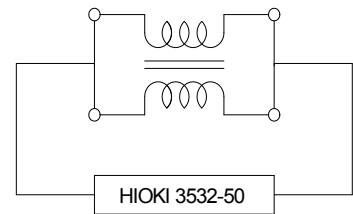
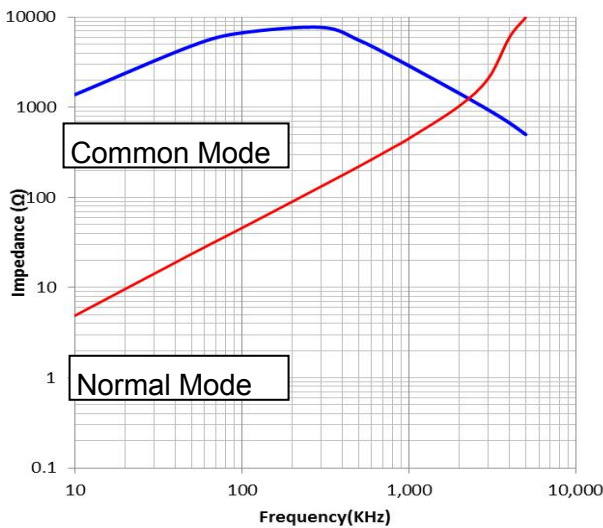
RoHS
Compliant

3. Electrical Characteristics

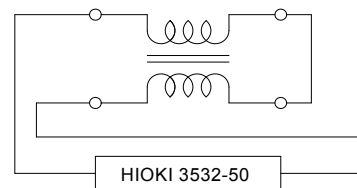
Part Number	Inductance ① (1-6), (2-5), (3-4) (mH)	DCR ② (1-6), (2-5), (3-4) (mΩ)	I rms ③ (A) typ.
TMTR422616G-TW30TS	30 typ.	38.5±30%	5.8

- ① Inductance tested at 1.0 kHz, 1.0 Vrms using HIOKI 3532-50 LCR meter or equivalent.
- ② DCR measured on a micro-ohmmeter.
- ③ I rms: The DC current at which $\Delta t=40^{\circ}\text{C}$, measure pin1 to 4, short pin2,3 and pin5,6.

Impedance vs Frequency Curve



Common Mode



Normal Mode

All specifications are subject to change without notice.