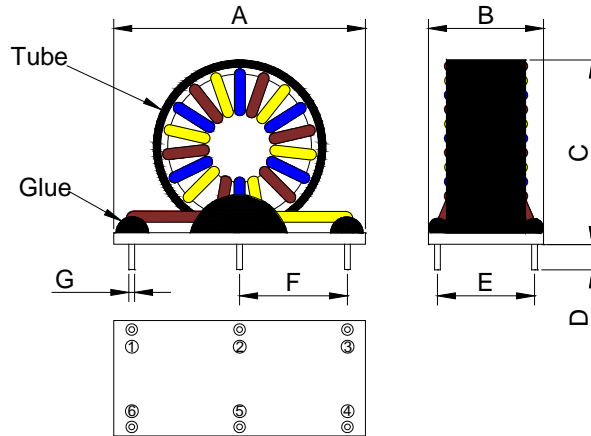
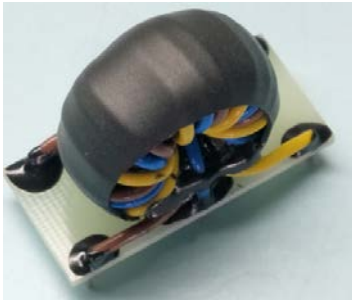


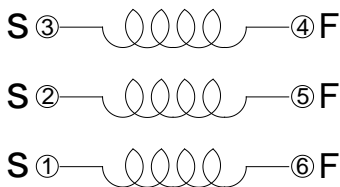
1. Dimensions (mm)



A	B	C	D	E	F	G
35±0.5	18 Max	29 Max.	3.5±0.5	13.5±1.0	15±1.0	0.8 ref.

Dimensions do not include solder on the Pins

2. Schematics (Bottom View)



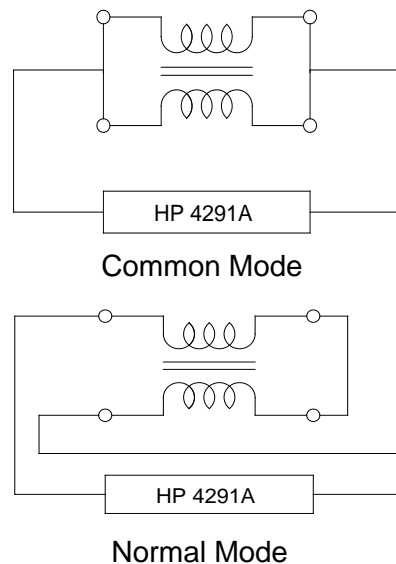
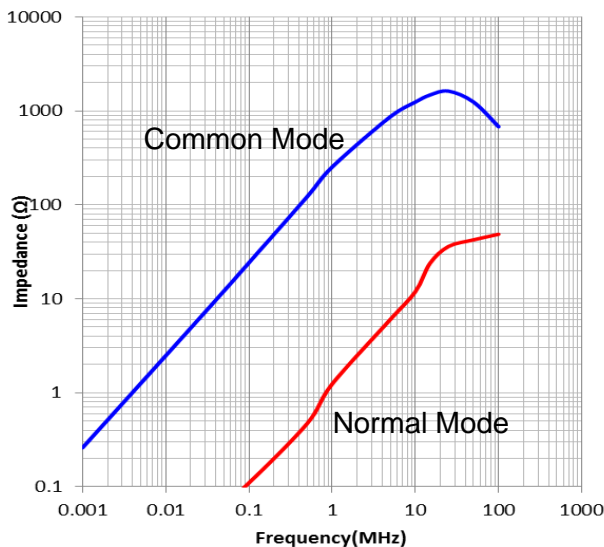
RoHS
Compliant

3. Electrical Characteristics

Part Number	Inductance ① (1-6), (2-5), (3-4) (μH)	DCR ② (1-6), (2-5), (3-4) (mΩ)	I rms ③ (A) typ.
TMTR201010N-230M01	23 min.	9.0±30%	8.0

- ① Inductance tested at 1.0 kHz, 0.3 Vrms using HIOKI 3532-50 LCR meter or equivalent.
- ② DCR measured on a micro-ohmmeter.
- ③ I rms: The DC current at which Δt=40°C, measure pin1 to 4, short pin2,3 and pin5,6.

Impedance vs Frequency Curve



All specifications are subject to change without notice.