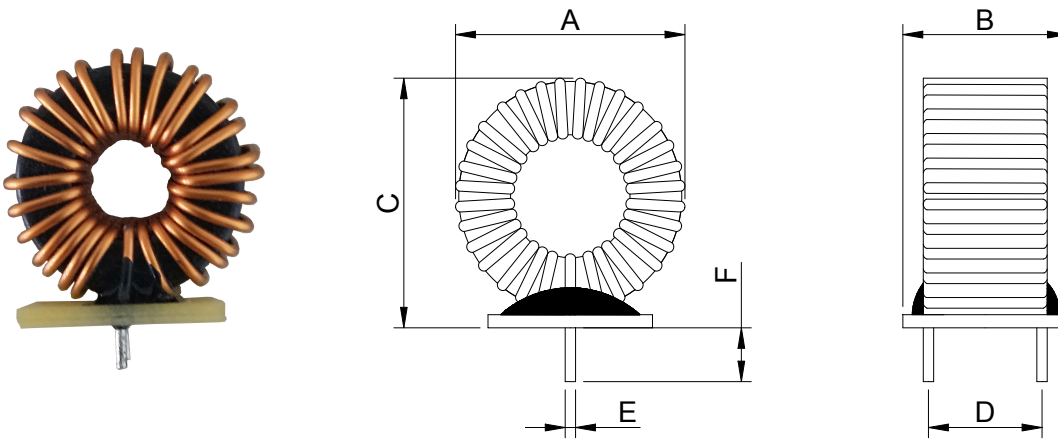


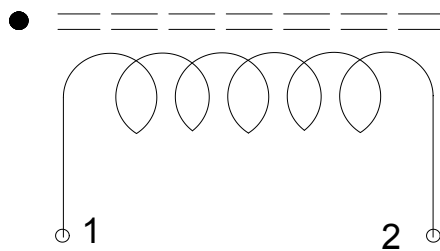
## 1. Dimensions



A	B	C	D	E	F
23.0 Max.	13.5 Max.	23.0 Max.	8.0±0.5	0.9±0.1	3.5±0.5

Unit: mm

## 2. Schematics



RoHS  
Compliant

## 3. Electrical Characteristics

Part Number	Inductance ① ( $\mu\text{H}$ ) Min.	DCR ② ( $\text{m}\Omega$ ) max.	$I_{\text{rms}}$ (A) typ.③	$I_{\text{sat}}$ (A)typ.④
NMTR190906A-451LT01	450	25	8.0	0.4

① Inductance tested at 1.0 kHz, 1.0 Vrms using an Agilent/HP 4192A or equivalent.

② DCR measured on a micro-ohmmeter.

③ Irms: The DC current at which  $\Delta t=40^\circ\text{C}$ .

④ Isat: The DC current at which the inductance decreases by 25% from its initial value.