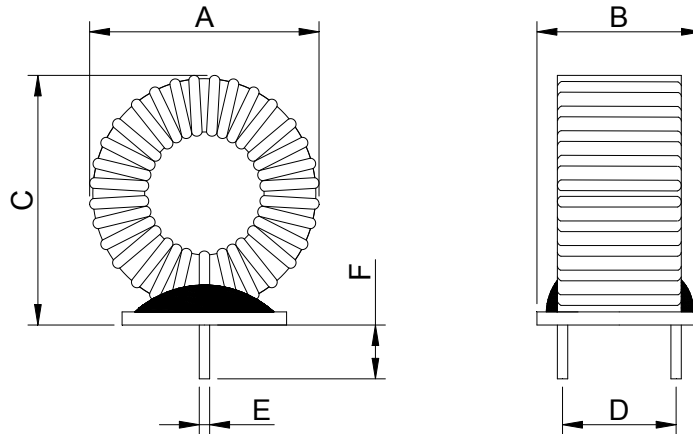


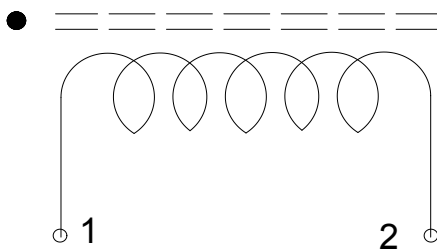
1. Dimensions



A	B	C	D	E	F
22.0 Max.	16.5 Max.	22.0 Max.	12.5±1.0	1.0±0.2	5.0±1.0

Unit: mm

2. Schematics



RoHS
Compliant

3. Electrical Characteristics

Part Number	Inductance ① (uH)	Inductance tolerance	DCR ② (mΩ) max.	Isat (A) typ.③	I rms (A) typ.④
NMTR180910F-121LT01	120	±15%	32	2.3	8.0

- ① Inductance tested at 1.0 kHz, 0.3 Vrms using an Agilent/HP 4192A or equivalent.
- ② DCR measured on a micro-ohmmeter.
- ③ Isat: Inductance drop down 30% from its initial value.
- ④ Irms: The DC current at which Δt=40°C.