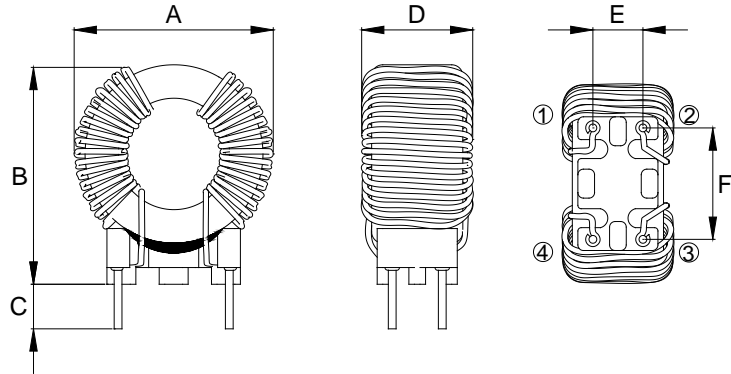


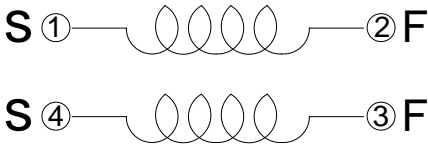
1. Dimensions (mm)



A	B	C	D	E	F
20 max.	21.5 max.	4.0±0.5	12.5 max.	4.5±0.5	10±0.5

Dimensions do not include solder on the Pins

2. Schematics (Bottom View)



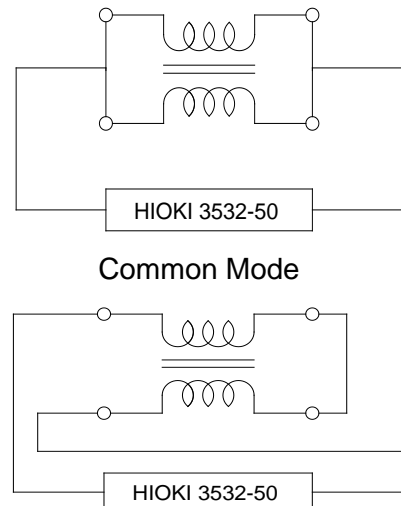
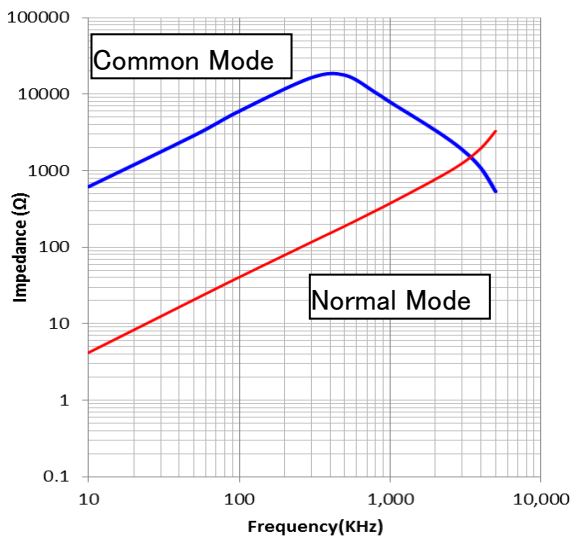
RoHS
Compliant

3. Electrical Characteristics

Part Number	Inductance ① (1-2), (3-4) (mH)	DCR ② (1-2), (3-4) (mΩ)	I rms ③ (A) typ.
CMTR161007G-TW42TA	8 min.	100±30%	2.0

- ① Inductance tested at 10 kHz, 0.3 Vrms using HIOKI 3532-50 LCR meter or equivalent.
- ② DCR measured on a micro-ohmmeter.
- ③ I rms: The DC current at which $\Delta t=40^{\circ}\text{C}$, measure pin1 to 4, short pin2,3..

Impedance vs Frequency Curve



All specifications are subject to change without notice.