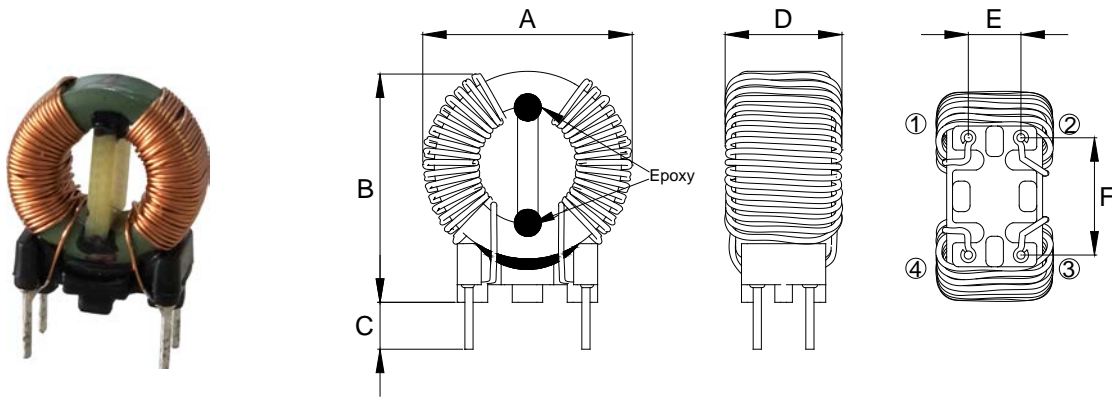


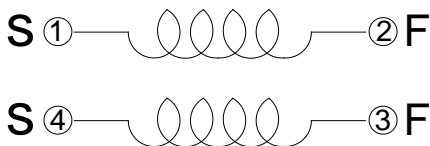
**1. Dimensions (mm)**



A	B	C	D	E	F
15 max.	18 max.	4.0±0.5	7.8 max.	4.5±0.5	10±0.5

Dimensions do not include solder on the Pins

**2. Schematics (Bottom View)**



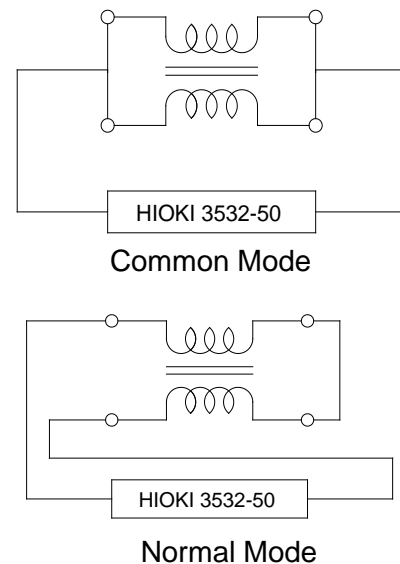
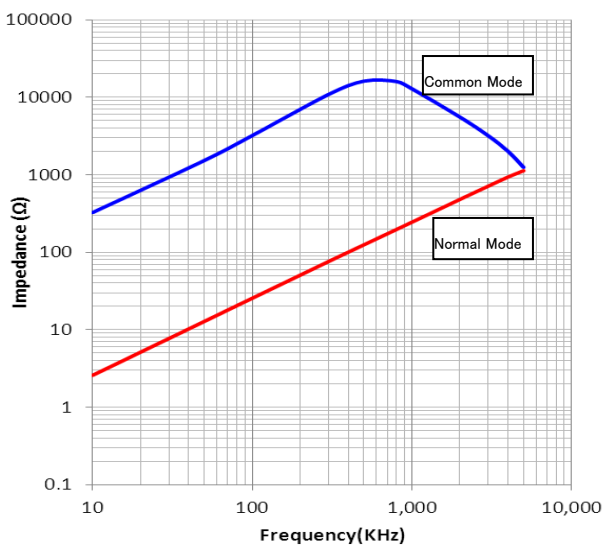
RoHS  
Compliant

**3. Electrical Characteristics**

Part Number	Inductance ① (1-2), (3-4)	DCR ② (1-2), (3-4) (mΩ)	I rms ③ (A) typ.
CMTR130705G-SV36TA	4.8mH±30%	200 max.	1.0

- ① Inductance tested at 10 kHz, 0.3 Vrms using HIOKI 3532-50 LCR meter or equivalent.
- ② DCR measured on a micro-ohmmeter.
- ③ I rms: The DC current at which  $\Delta t=40^{\circ}\text{C}$ , measure pin1 to 4, short pin2,3 (at 25°C).

**Impedance vs Frequency Curve**



All specifications are subject to change without notice.