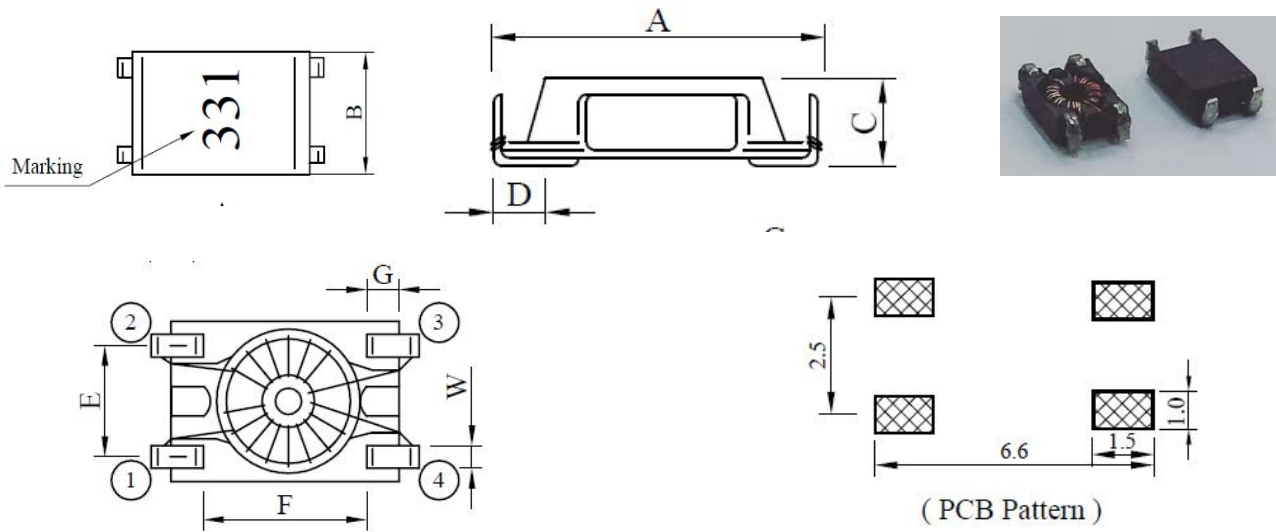


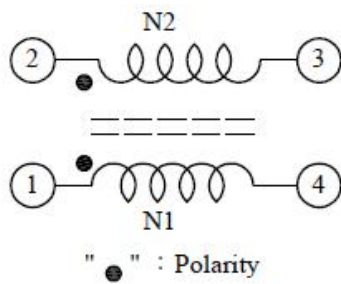
1. Dimensions (mm)



A	B	C	D	E	F	G	W
6.50Max	3.60±0.15	1.65±0.15	0.90min	2.50±0.1	3.40±0.2	0.80Max	0.55±0.1

Dimensions do not include solder on the Pins

2. Schematics (Bottom View)



RoHS
 Compliant

3. Electrical Characteristics

Part Number	L(uH)	L-L (uH)max.	RDC (Ω) max. N1=N2	Rated current (mA)	Impedance (Z)	
					Freq. Range	min (Ω)
CMTR0602S-100MCS	10±50%	10	0.24	300		
CMTR0602S-510MCS	51±50%	10	0.16	300		
CMTR0602S-181MCS	180±50%	10	0.25	300		
CMTR0602S-221MCS	220±50%	10	0.28	300	3 ~210	600
CMTR0602S-331MCS	330±50%	10	0.30	300	3 ~120	900

- ① Inductance tested at 10kHz/0.25V
- ② Electrical specifications at 25°C
- ③ HI-POT Tested at 250Vac 60Hz 3mA 1 min.
- ④ Nominal voltage : 60Vdc
- ⑤ Rated current base on Temp. rise 20°C max.

4.Packaging

Packaging Quantity: 2500 pcs per Reel.