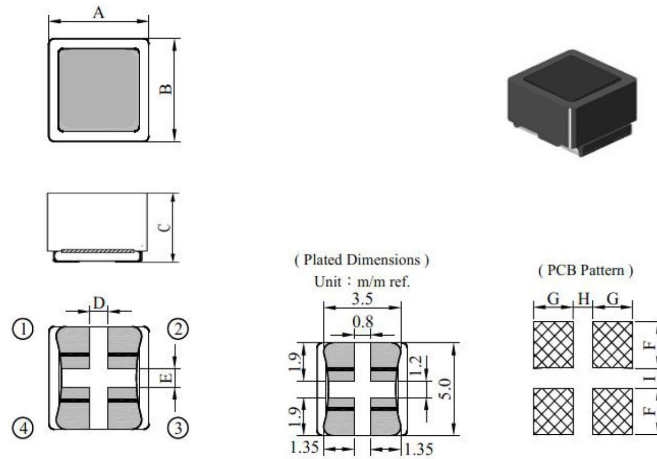


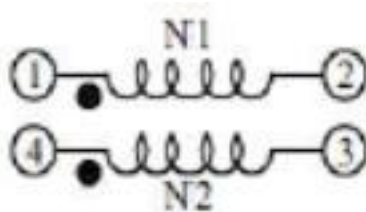
### 1. Dimensions



A	B	C	191	D	E	F	G	H	I
4.8±0.2	5.0±0.2	4.5 Max.		0.8 Typ.	1.0 Typ.	2.3 Ref.	1.6 Ref.	0.8 Ref.	1.0 Ref.

Unit: mm

### 2. Circuit Diagram



RoHS  
Compliant

### 3. Electrical Characteristics

Part Number	Common mode Impedance (Ω) 100MHz	Inductance (uH) 100KHz/0.1V	Rated Voltage (VDC)Max.	Rated Current (A)Max.	DC Resistance (mΩ) Max.	Insulation Resistance (MΩ) Min.	Marking
CMDR5040S-191TS	190 Typ.	0.6 Typ.	50	5.0	20	10	191
CMDR5040S-351TS	350 Typ.	1.1 Typ.	50	2.0	40	10	351
CMDR5040S-501TS	500 Typ.	2.3 Typ.	50	1.0	230	10	501
CMDR5040S-102TS	1000 Typ.	3.7 Typ.	50	1.5	60	10	102
CMDR5040S-152TS	1500 Typ.	5.6 Typ.	50	1.0	100	10	152
CMDR5040S-302TS	3000 Typ.	8.0 Typ.	50	0.5	200	10	302
CMDR5040S-402TS	4000 Typ.	1.8 Typ.	50	0.2	300	10	402

Rated Current: the current at which the temperature rise shall not be more than 40°C.

### 4. Packaging

Packaging Quantity: 1000 Pcs /Reel.