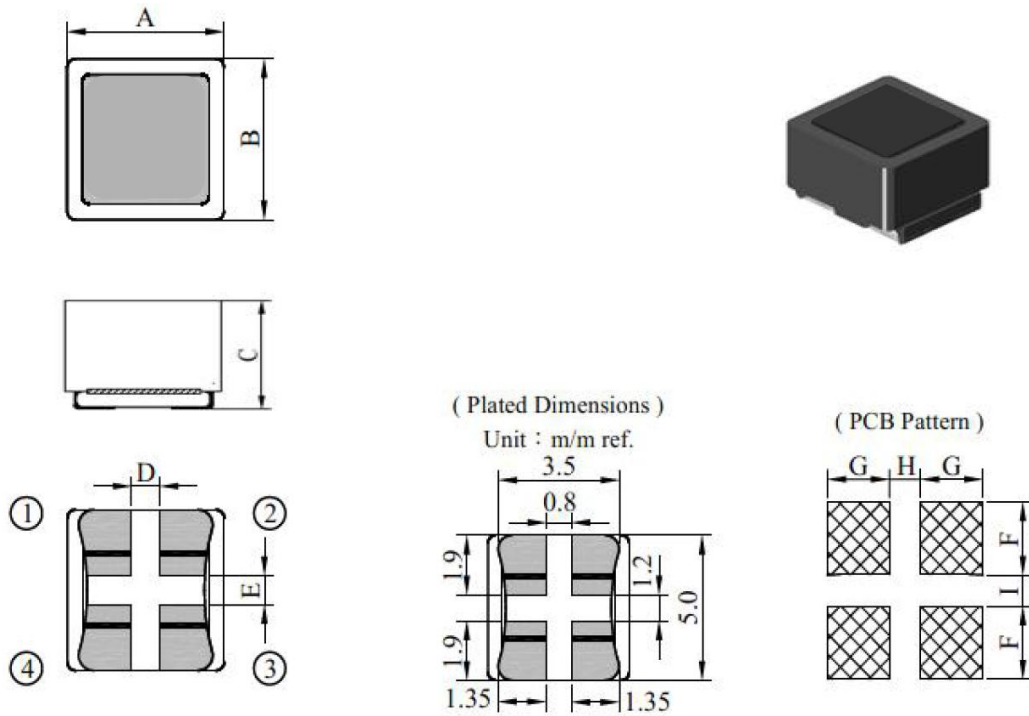


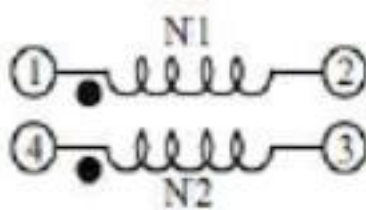
**1. Dimensions**



A	B	C	D	E	F	G	H	I
4.8±0.2	5.0±0.2	2.5 Max.	0.8 Typ.	1.0 Typ.	2.3 Ref.	1.6 Ref.	0.8 Ref.	1.0 Ref.

Unit: mm

**2.Circuit Diagram**



RoHS  
 Compliant

### 3. Electrical Characteristics

Part Number	Impedance (Ω)	Rated Voltage (VDC)Max.	Rated Current (A)Max.	DC Resistance (mΩ)Max.	Insulation Resistance (MΩ)Min.	Marking
CMDR5020S-101TS	100 Typ.	50	6.0	13	10	101
CMDR5020S-251TS	250 Typ.	50	5.0	20	10	251
CMDR5020S-501TS	500 Typ.	50	4.0	27	10	501
CMDR5020S-102TS	1000 Typ.	50	2.0	34	10	102
CMDR5020S-142TS	1400 Typ.	50	1.5	56	10	142
CMDR5020S-152TS	1500 Typ.	50	1.5	56.0	10	152

Test Frequency: 100MHz/0.5V

Rated Current: the current at which the temperature rise shall not be more than 40°C.

### 4. Packaging

Packaging Quantity: 2500 pcs per Reel.